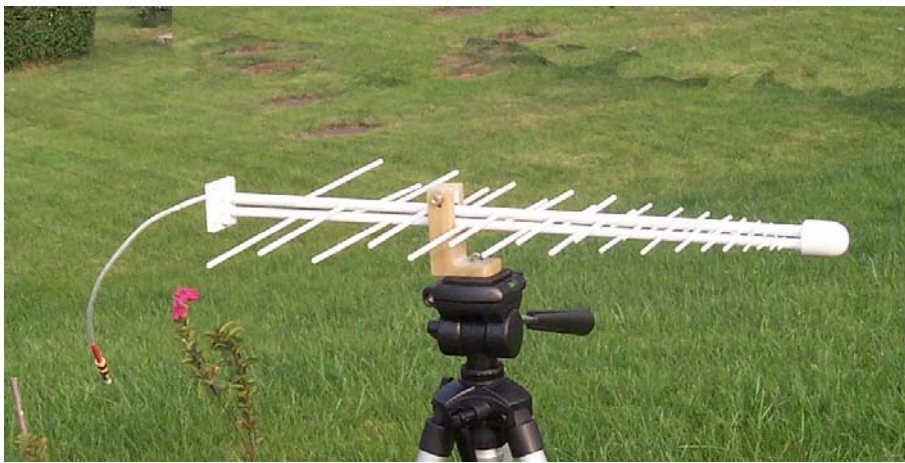


# Test Report

## for 0.2~2.0GHz Log Periodic Antenna



**Model: HXATBDLP20200**

**Chengdu HAIXIN MICROWAVE Technology Co., Ltd**

Add: Chengdu 610091, China

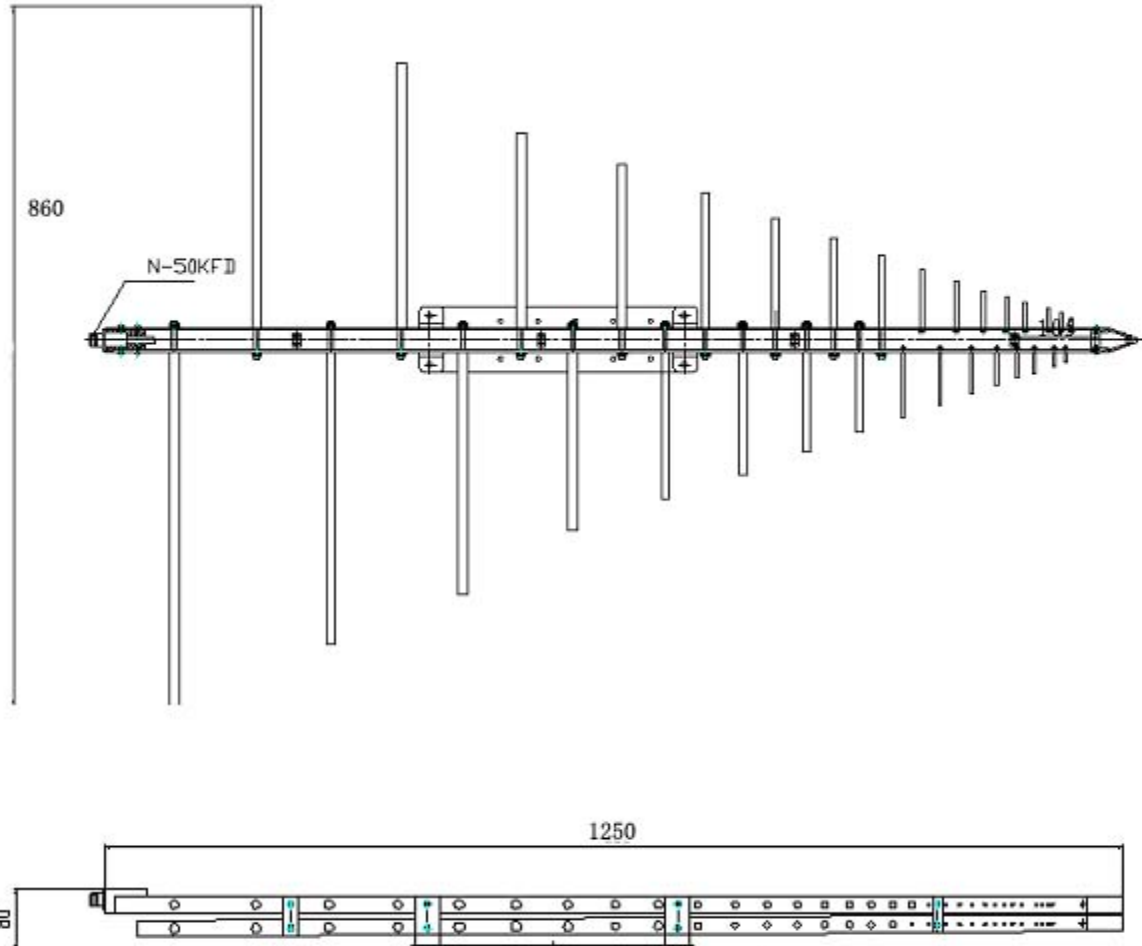
Tel: +86-28-87089208

Website: [www.hxmicrowave.com](http://www.hxmicrowave.com)

Fax: +86-28-87089208

Email: [sale@hxmicrowave.com](mailto:sale@hxmicrowave.com)

## Outline Drawing (Size: mm)



## Technical Specification

Frequency Rang	VSWR	Gain	Connector	Beam width	Size
0.2~2GHz	3:1	$\geq 6$ dBic	N-Female	50° ~ 120	1250mm× 860mm

## Test Instruments

Agilent 83630B  
HP8563E  
HP8720D

## Chengdu HAXIN MICROWAVE Technology Co., Ltd

Add: Chengdu 610091, China

Tel: +86-28-87089208

Website: www.hxmwave.com

Fax: +86-28-87089208

Email: sale@hxmwave.com

# Test Results

## 1. Gain

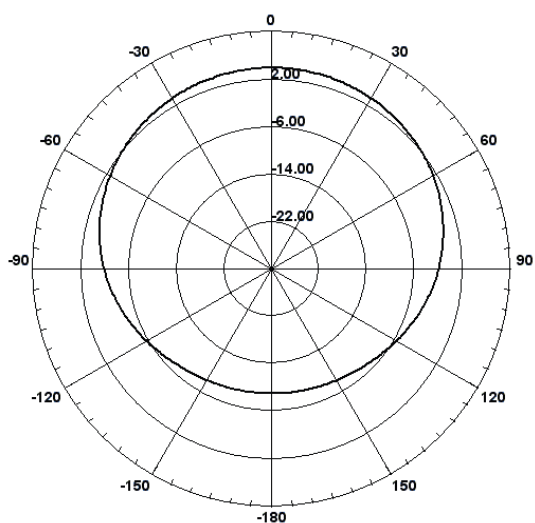


Frequency (MHz)	200	500	1000	2000
Gain (dBi)	6	8	8.5	9

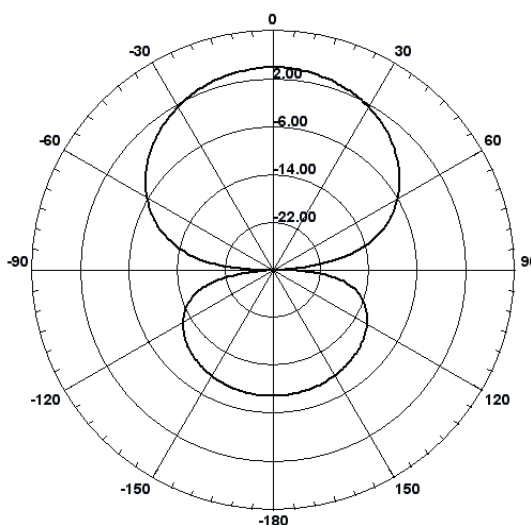
## 2. Pattern

200MHz

E Plane

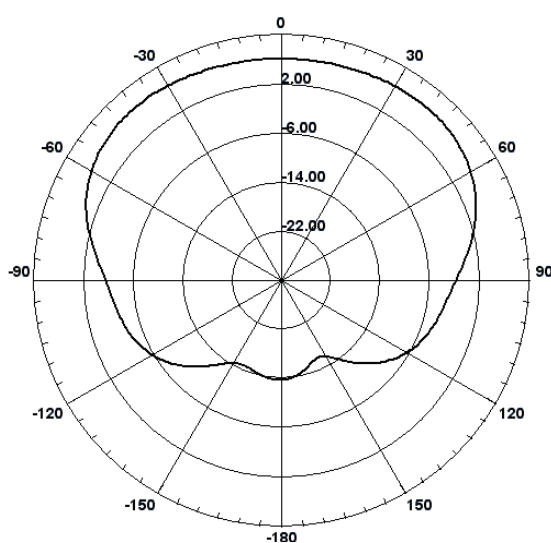


H Plane

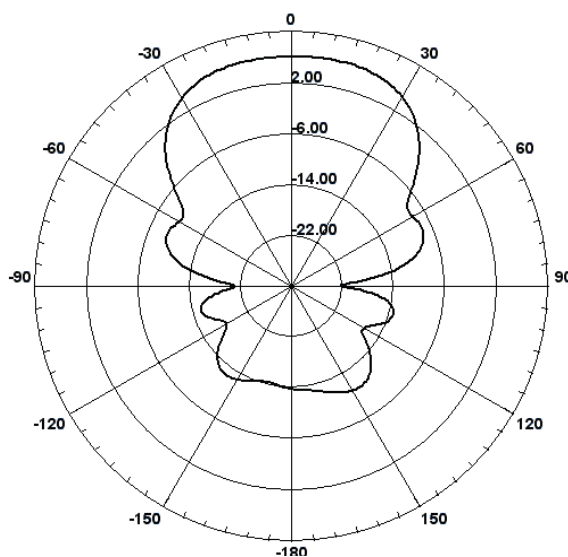


600MHz

E Plane



H Plane



;

**Chengdu SIWI Electronic Co., Ltd**

Add: SIWI Electronic Building, Xiejiaji, Chengdu 610091, China

Tel: +86-28-81705119 87360620

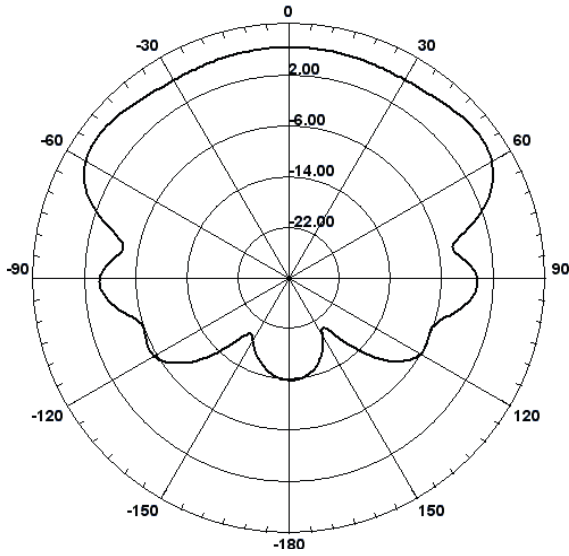
Website: www.siwi.com.cn

Fax: +86-28-81707519

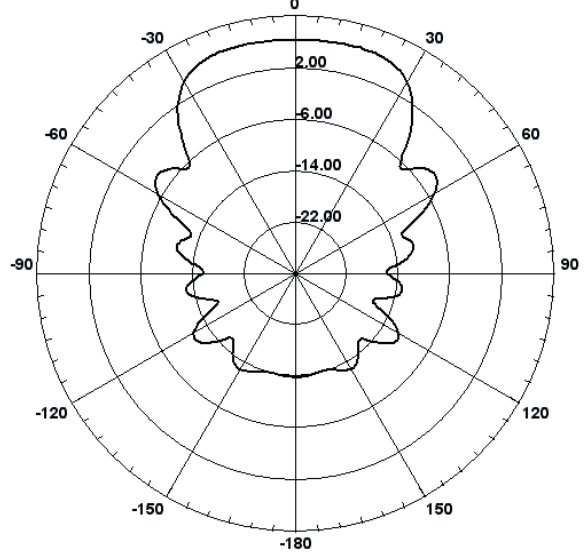
Email: market@siwi.com.cn

1000MHz

E Plane

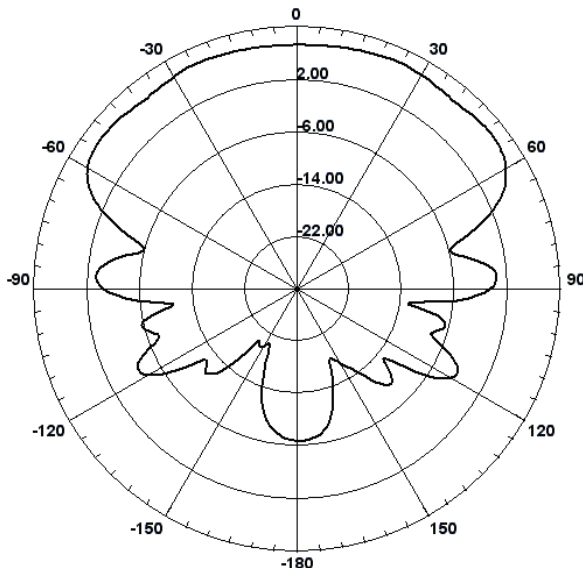


H Plane

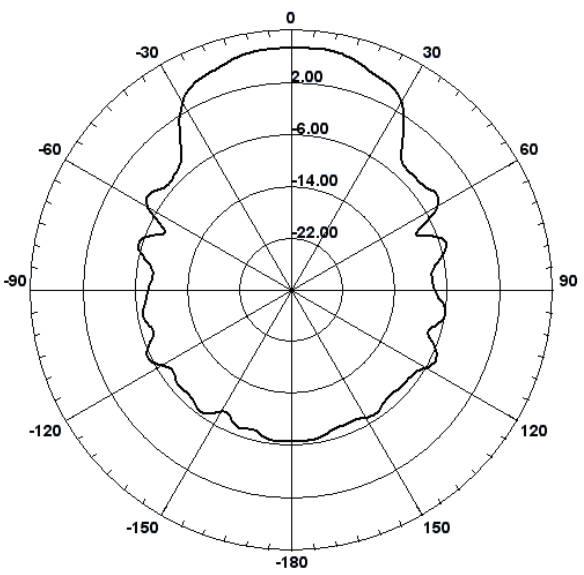


2000MHz

E Plane



H Plane



**Chengdu SIWI Electronic Co., Ltd**

Add: SIWI Electronic Building, Xiejiaqi, Chengdu 610091, China

Tel: +86-28-81705119 87360620

Website: [www.siwi.com.cn](http://www.siwi.com.cn)

Fax: +86-28-81707519

Email: [market@siwi.com.cn](mailto:market@siwi.com.cn)